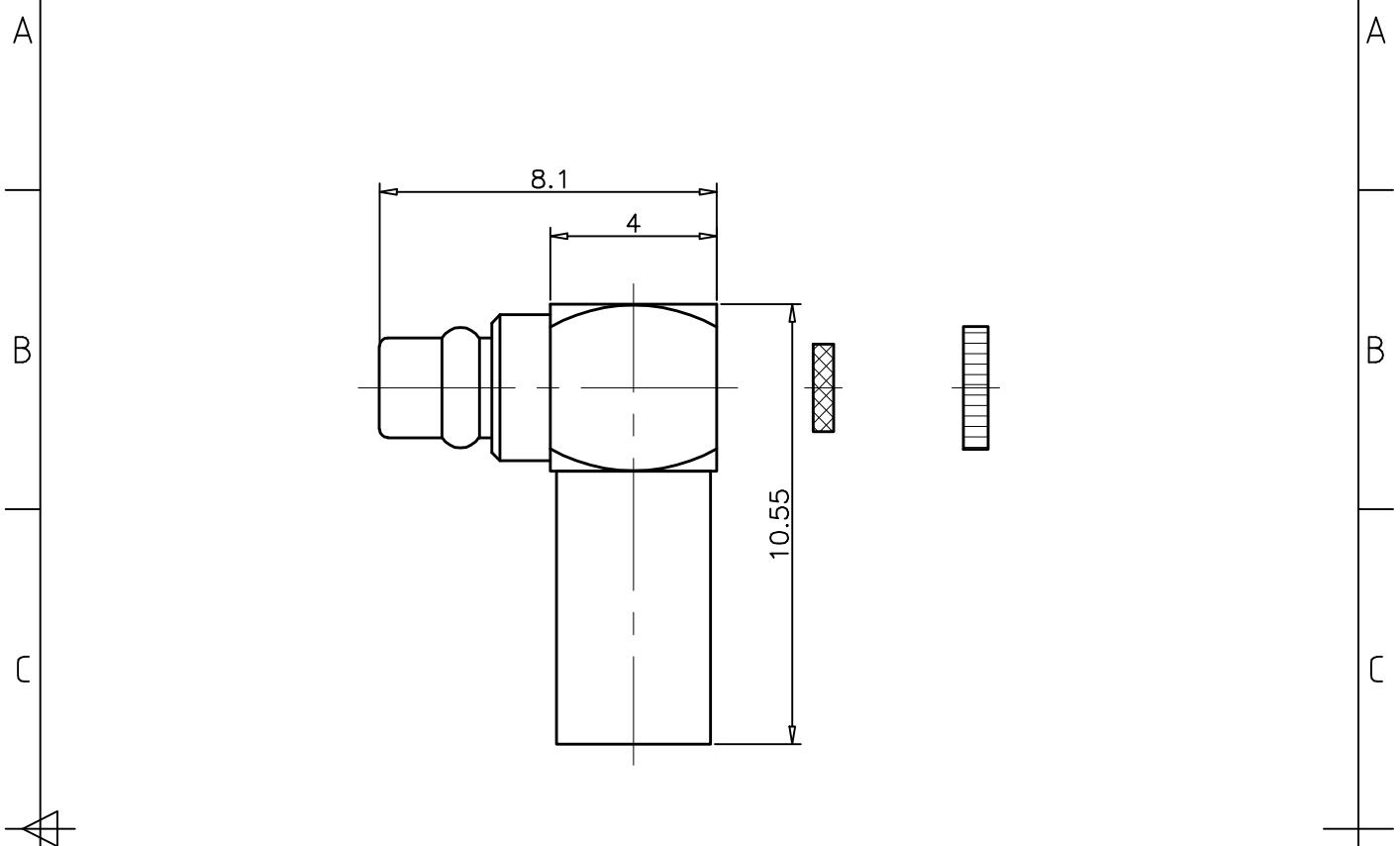


1	2	3	4	
RevNo	Revision note	Date	Signature	Checked
00	Sketch Only	5/22/14	Teresa	Simon



Interface Per: CECC 22340  
 Material & Finishing:  
 1. Center condutor: Brass, Gold Plating  
 2. Insulators: PTFE  
 3. Body : Brass, Gold Plating

RoHS Compliant.

ALL DIMENSIONS ARE IN MILLIMETERS AND [INCHES]

KERUI ELECTRONIC CO;LTD

Title  
 MMCX male right angle  
 solder for .085 cable

THESE DRAWING & SPEC. ARE THE  
 PROPERTY OF KERUI ELECTRONIC  
 CO;LTD AND SHALL NOT BE  
 REPRODUCED, OR COPIED OR USED  
 AS THE BASIS FOR THE  
 MANUFACTURE OR SALE OF  
 APPARATUS OR DEVICES WITHOUT  
 THEIR EXPRESS WRITTEN CONSENT.

UNLESS OTHERWISE NOTED  
 ALL SURFACES FINISHED TO 64/MAX.  
 ALL TOLERANCES ARE:  
 DECIMALS FRACTIONS ANGLES  
 x ± 1.0 ±1/64 x' ± 1°  
 x.x ± 0.5 x'x' ± 0.5°  
 x.xx ± 0.1

Drawn by Teresa	Ckd by Simon	Appd by Richard	Date 5/22/2014
--------------------	-----------------	--------------------	-------------------

Scale 6:1	Sheet 1 of 1	08 1011 329 01
--------------	--------------	----------------